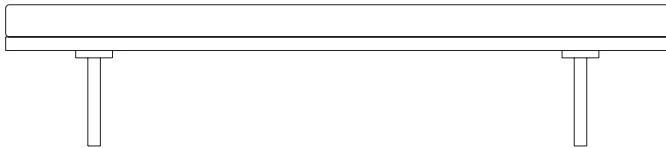


KR-180 DAYBED
Designed by Kim Richardt



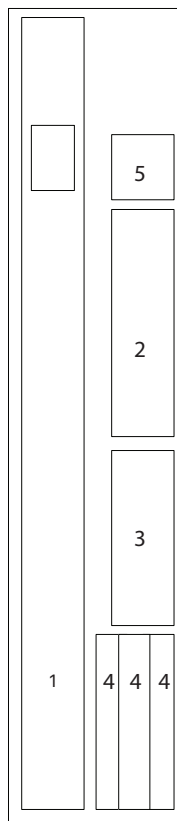
FRAMA

KR-180 DAYBED ASSEMBLY GUIDE

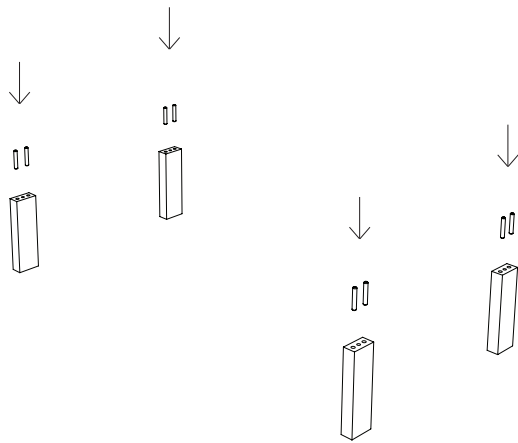
CONTENTS:

In this box you will find:

- 4 screws
- 8 wooden dowels
- 4 legs
- 2 horizontal cross support
- 2 bed support frames
- 18 bed supports
- 1 umbraco tool

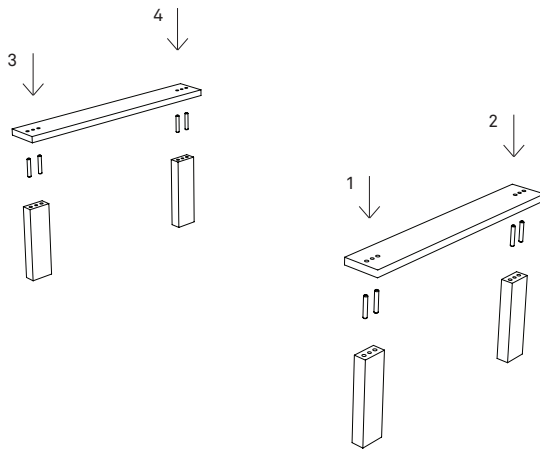


KR-180 DAYBED ASSEMBLY GUIDE



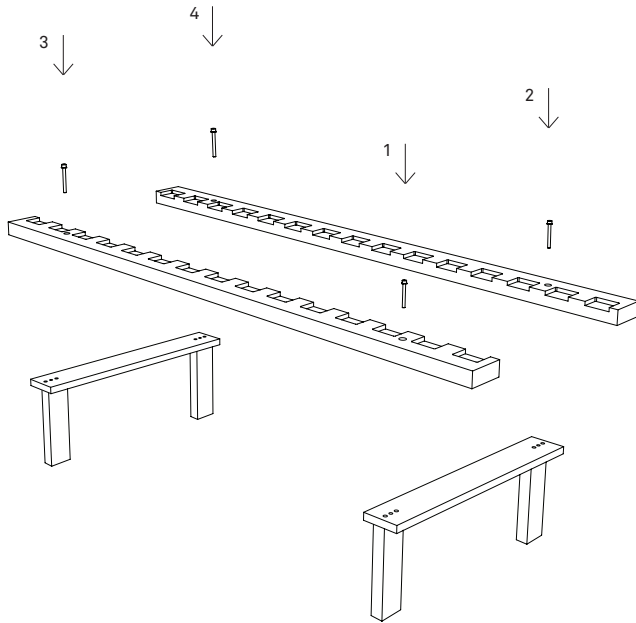
Start by unpacking wooden dowels from package 5 and placing the dowels in each of the outer holes located on the top of the leg pieces, located in package 3

KR-180 DAYBED ASSEMBLY GUIDE



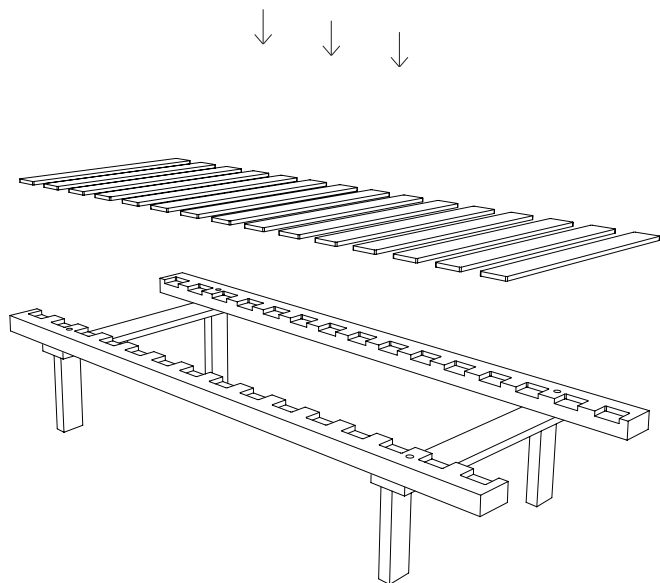
Next remove the horizontal cross supports in package 3.
Using one horizontal cross support at a time, fasten each leg by fitting the wooden dowels with the two outer holes located on the horizontal cross supports. Repeat on the other side of the horizontal cross support, and then with the second horizontal cross support.

KR-180 DAYBED ASSEMBLY GUIDE



Next remove the two bed support frames in package 1. Align each bed support frame with the center hole located in each of the now attached leg and two horizontal cross support frames. Screw the four screws located in package 5 in place using the small umbraco tool also located in package 5.

KR-180 DAYBED ASSEMBLY GUIDE



Place all bed supports located in package 4 within their allocated slots atop the bed frame.

CLEANING & MAINTENANCE

CLEANING WOOD:

Daily cleaning of wooden base is done with a soft cloth wrung out in clean water. Avoid using cleaners containing any type of chemicals on the furniture.

1. Clean the furniture using a clean cloth dampened with warm water.
2. Once the furniture is dry, apply oil to a clean soft cloth or sponge - do not pour the oil directly on the wood
3. Rub the oil into the wood in the direction of the grain, treating the entire surface of the furniture piece.
4. Let the oil soak for about two hours, then remove any excess oil with a soft clean dry cloth.
5. Rub the surface with a clean soft cloth until a uniform surface is obtained, then let dry.

NOTE:

End grain (edges), should be treated extra frequently to avoid dryness and cracking in the dry season (winter). Irregular distribution of moisture in the wood can cause unnecessary cracks and gap. To avoid this we recommend oiling both the top and underside of the furniture.

CLEANING MATTRESS:

Linen Mattress with Cold foam interior : Dry-clean or cold delicate wash recommended. Do not bleach.

FRAMA

Org. St. Pauls Apotek - Fredericiagade 57 - Copenhagen - Denmark